

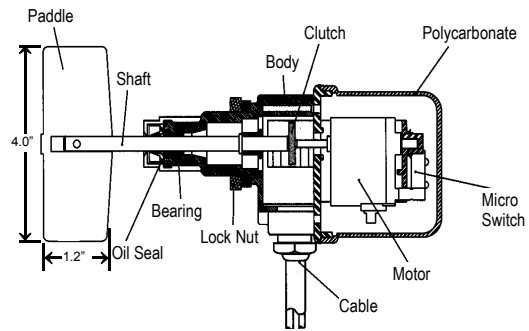
BINMASTER®

Mini-Rotary Compact Rotary Control For Dry Solids

Specifications

Input Voltage: 110/230/24 VAC 50/60 Hz
Power Consumption: 1.5 Watts
Switch: SPDT
Contact Rating: 3A @ 250 VAC
Rotary Speed: 1 RPM
Temperature Range: -4° F to +140° F
Wiring Cable: 18 AWG, 12 inch cable
Mounting: 3/4" PF
Clutch: Magnetic Slip Clutch prevents damage to motor gears
Enclosure: Polycarbonate, NEMA 1
Weight: .77 lb.

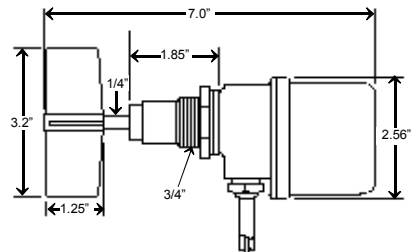
Mini-Rotary Structure



*Unit shown with Optional 304 Stainless Steel Rectangular Paddle

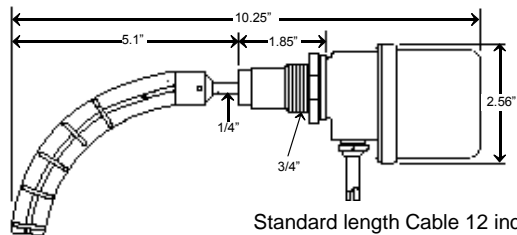
Dimensions

Mini-Rotary with 4-Vane Polycarbonate Paddle

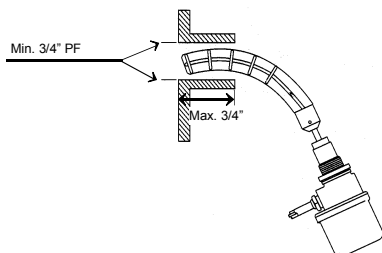


Standard length Cable 12 inches

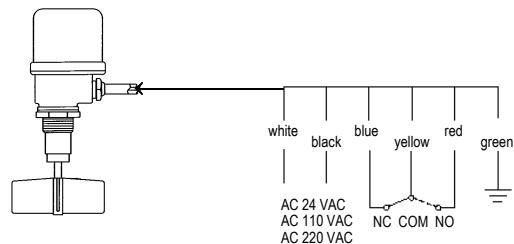
Mini-Rotary with Bayonet Insertable Polycarbonate Paddle



Standard length Cable 12 inches



Wiring Diagram



INSTALLATION AND OPERATING INSTRUCTIONS:

1. The conduit opening should be placed in a downward position to protect from moisture entering the unit through the conduit.
2. When installing or performing maintenance in the field, be sure that all power is de-energized.
3. The operating temperature in the tank or bin should be within the temperature rating of this product.
4. When selecting a mounting location, be sure the material can freely flow to and away from the shaft and paddle.
5. The shaft and paddle should also be out of the direct flow of material as it fills the bin or tank.
6. If mounted in the flow stream, a protective baffle should be installed on the inner wall of the bin or tank.
7. When internal access is available on the bin, first remove paddle and insert shaft through 3/4" PF connection on bin wall and reattach paddle to shaft with cotter pin.

TROUBLESHOOTING GUIDE

CONDITION	POSSIBLE CAUSE	SOLUTION
Paddle keeps rotating when covered with material	Paddle size is not suitable for use in existing material due to the material density	Replace with correct paddle size
Paddle out of shape or shaft is bent	The impacting force of material is too great	Relocate paddle and shaft out of Fill stream or provide a protective baffle to protect the paddle and shaft.
No rotation of paddle	1) No power to unit 2) Motor damaged	1) Check the wire connects 2) Replace the motor

BINMASTER[®]